



# DELTA-XERO

THE FUTURE IS SYSTEM RELIABILITY

## DX1002-W-PT

The modern, eco-friendly solution to fluid conditioning for Diesel

- Particle filtration down to **0.1  $\mu\text{m}$**
- Designed for diesel and kerosene
- Smart & effective maintenance system
- Operation and maintenance cost reduction
- Extend equipment lifetime
- Eco-friendly
- Easy to service
- Reduced emissions
- **100% Recycled** media

Maintaining healthy fluid by removing:

- Abrasive material to down 0.1  $\mu\text{m}$
- Bacteria
- Fungus
- Ashphaltenes
- Wax deposits
- Water bound free and emulsified



### DX1002-W-PT

Drive Input	Electric
Connection Ports	1/2" BSP In & 1/2" BSP Out
Flow Indicator	Visual
Suggested System Volume	Fluid dependant
Flow rate	Starting from 3.0 lpm - Varies per application
Particulate Removal	From 0.1 $\mu\text{m}$
Weight	15Kg
Dimensions	H 766 mm x D 261 mm x L 442 mm
Material	SS316
DXPT Cartridge QTY	2

© 2022 Delta-Xero All Rights Reserved. All information contained in this publication is indicative only and may be subject to change without prior notice.



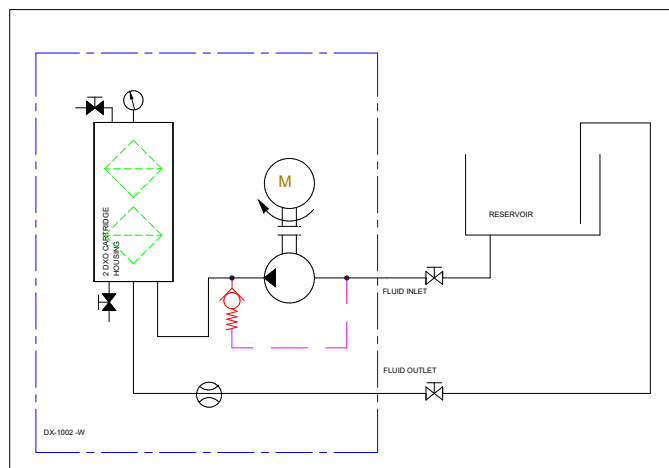
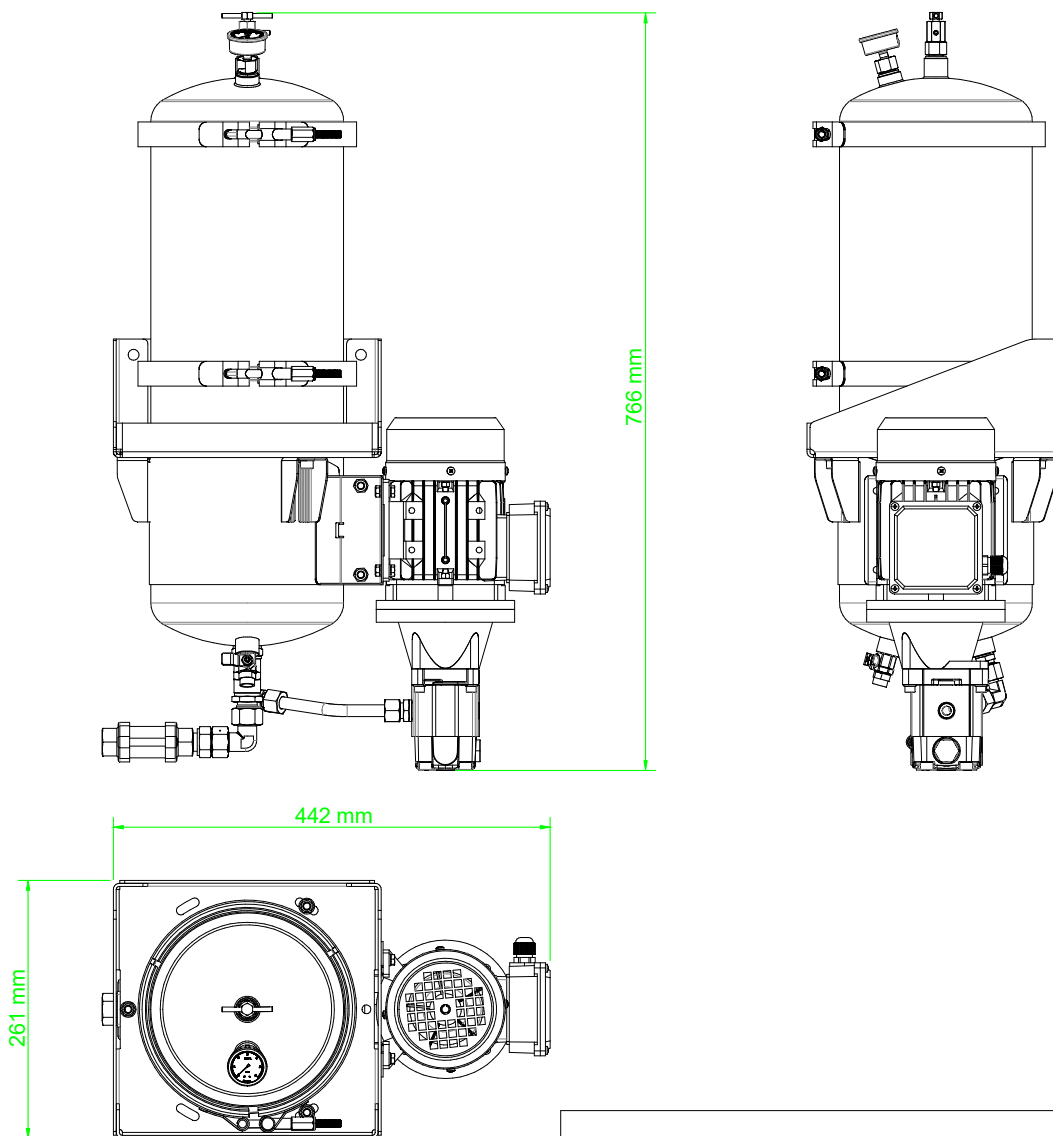
Delta-Xero Distribution Ltd  
Unit 5, Pennant Park, Standard Way,  
Fareham, Hampshire,  
PO16 8XU  
t: +44 2392 874 755  
e: sales@delta-xero.com



# DELTA-XERO

THE FUTURE IS SYSTEM RELIABILITY

## General Arrangement



© 2022 Delta-Xero All Rights Reserved. All information contained in this publication is indicative only and may be subject to change without prior notice.



Delta-Xero Distribution Ltd  
 Unit 5, Pennant Park, Standard Way,  
 Fareham, Hampshire,  
 PO16 8XU  
 t: +44 2392 874 755  
 e: sales@delta-xero.com